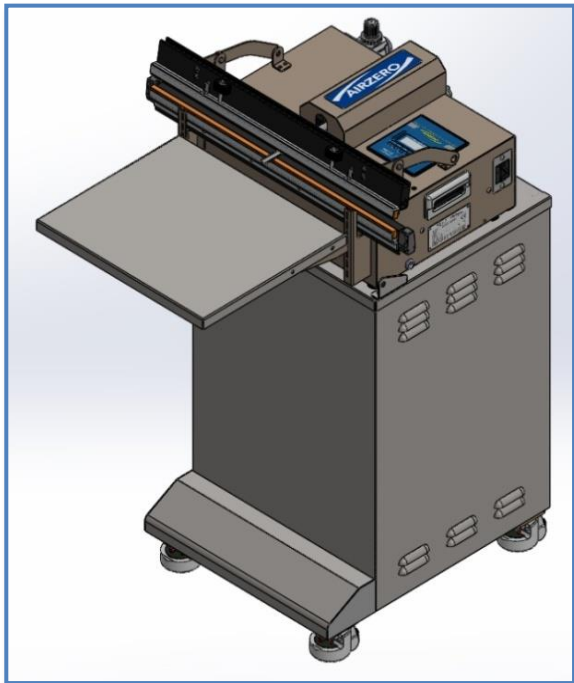


Nozzle Type Vacuum & Gas Flushing Sealer



■ MODEL **AZ-800ES-D (STAND TYPE MODEL)**

▶ ADDITIONAL FUNCTION	Double Heat Wire / Nozzle Air Cleaner (For liquid or Powder) Bulk Liquid Filter / Bulk Powder Filter / Long nozzle (For Convenient work)
▶ HEAT WIRE	In case of the packing bag's thickness is more than 120microns, We recommend additional Double Heat wire option.

■ SPECIFICATION

▶ BODY METARIAL	Stainless Steel
▶ WEGHT	Approximate 90Kg
▶ DIMENSION	Please confirm the machine Layout on Page 2
▶ SEALING LENGTH	800mm
▶ SEALING WIDTH	5mm / 10mm (Optional / 110V Must be use 5mm)
▶ ELECTRICITY	1Ph/220V/60HZ (Also available other Voltage and Frequency)
▶ REQUIRED AIR PRESSURE	5.5-6kgf/cm ² (Approximate 0.65 MPa)
▶ VACUUM PUMP	Ejector Pump (pneumatic / Also available Oil or Oil-less Pump)
▶ MAXIMUM DEGREE OF VACUUM	Average 80~85 kPa
▶ PROCESS SETTING	The control unit memorizes various combinations of vacuum, gas flush & seal among MODE 1 ~ 8, besides S mode for only seal and V mode for only vacuum & seal.
	1. Sealing
	2. Vacuum Sealing
	3. Gas flushing Sealing (Additional Gas Option gains the processes as below)
	4. Vacuum Gas flushing Sealing
	5. Gas flushing Vacuum Sealing
	6. Vacuum Gas flushing Vacuum Sealing
	7. Gas flushing Vacuum Gas flushing Sealing
8. Vacuum Gas flushing Vacuum Gas flushing Sealing	

Nozzle Type Vacuum & Gas Flushing Sealer

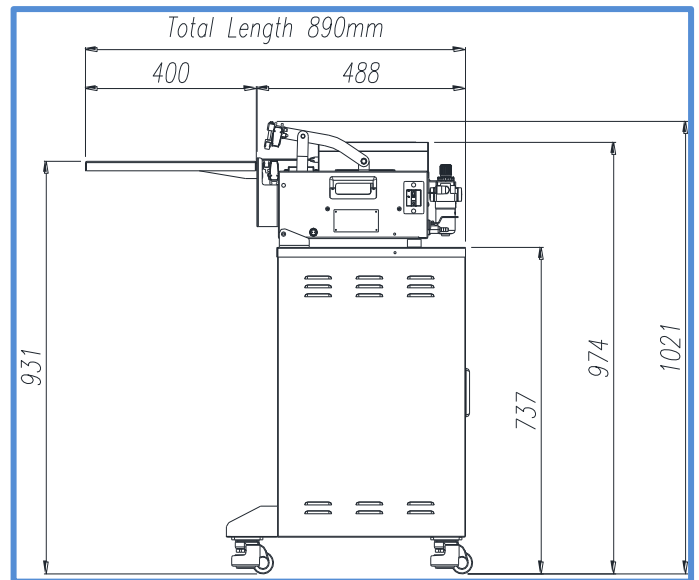
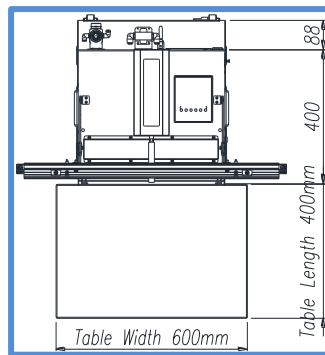
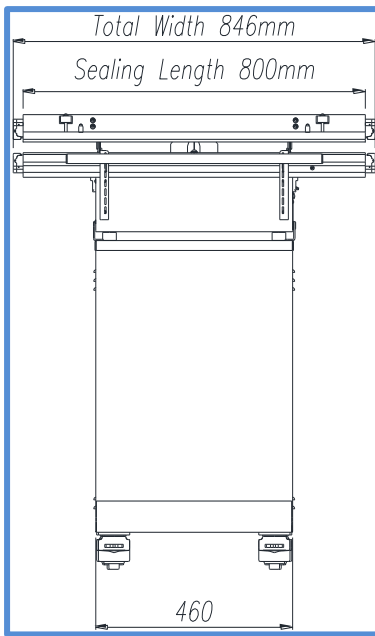


■ MARIT OF AIRZERO VACUUM SEALER

▶ Packing by vacuum degree (Unit : kPa) or time (Unit : 0.1 Sec)
▶ 1st and 2nd Vacuum degree/time and Gas Flushing time can be set differently
▶ Indicator of the operation and condition of machine (LCD, LED)
▶ Digital control unit easily detachable from the body1
▶ Safety - Sealing bar goes up immediately if fingers are caught by sealing bar
▶ Digital counter function
▶ Circuit-protection fuses installed
▶ Pneumatic method for powerful sealing and low electricity consumption

■ APPLICATION FIELD

▶ Industry (Semicon, Medical, Optical, General Machine/Parts/Materials)
▶ Food Industry (Meat, Fish, Vegetable, Grain, Nut, Oriental Hurb, Hot Food)



บริษัท พที เอเชีย (ประเทศไทย) จำกัด
998 หมู่ 3 ต.ลำไทรเหนือ อ.เมือง จ.สมุทรปราการ 10270
โทร. 02 759 3605 - 12 อีเมล info@ptasia.biz
www.ptasia-group.com

We always welcome any question, comment or suggestion.
Please feel free to contact us for more information.

Best quality, Competitive Price, Full Customer Service